

# Masimo Capnography and Multigas OEM Solutions

Breakthrough sidestream and mainstream gas monitoring technology



Masimo capnography and multi-gas solutions are flexible, easy to integrate, and designed to measure respiratory gases in a wide range of clinical applications and patient populations. They feature:

- > Complete end-to-end solutions, with both mainstream and sidestream options
- > Flexible configurations, able to accommodate the full spectrum of gas monitoring needs, from capnography to advanced multi-gas measurement
- > Ease of integration with external analyzers and built-in modules that use a universal communication protocol
- > Moisture-wicking sampling line technology for effective sidestream capnography and multi-gas measurement

# NomoLine® ISA™ Gas Analyzers

Comprehensive, versatile capnography and multigas sidestream measurements

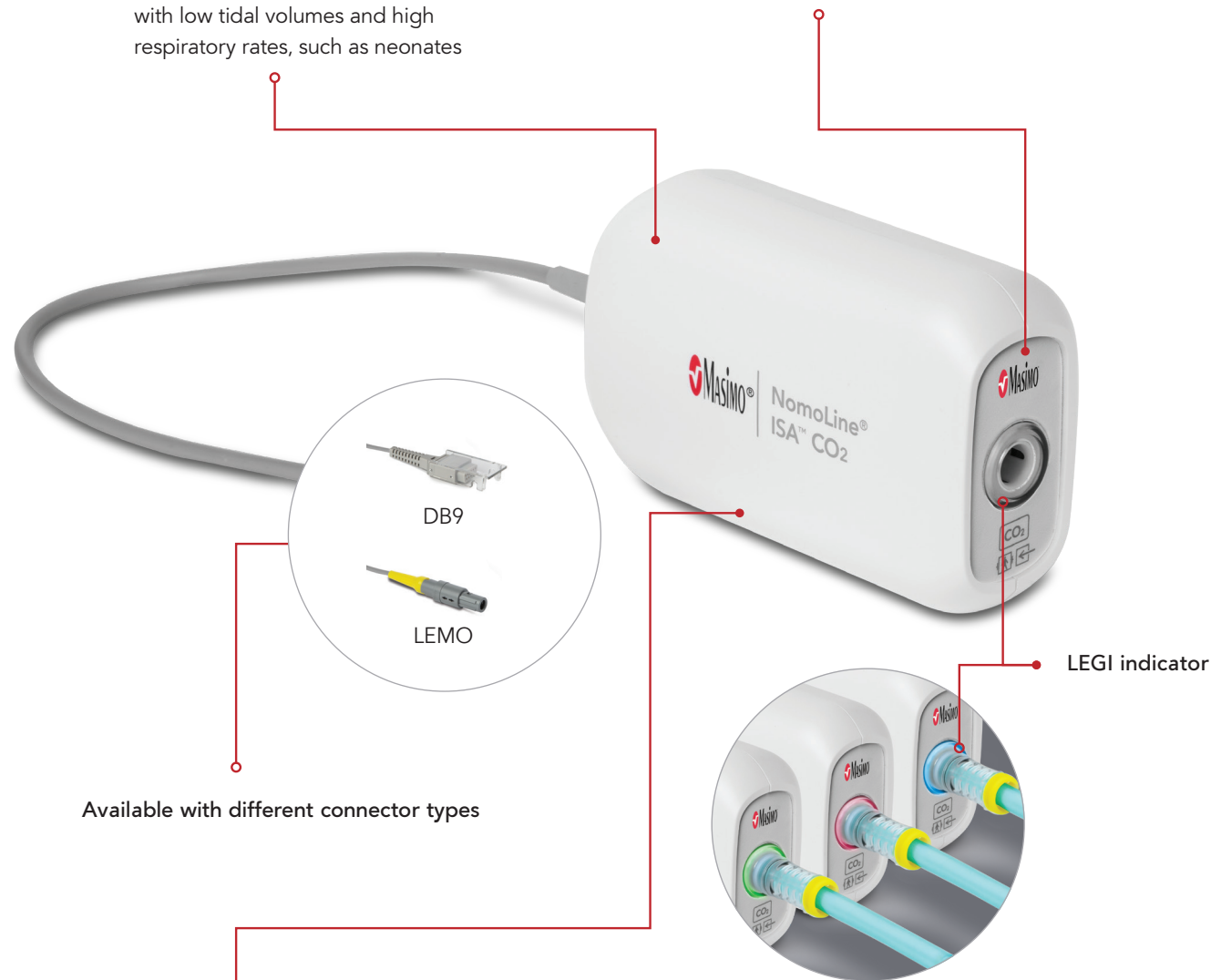
## NomoLine ISA CO2

50 ml/min sampling rate and small sample cell (15µl) facilitate accurate measurements and crisp waveforms

- > Enables gas monitoring on patients with low tidal volumes and high respiratory rates, such as neonates

Calibration-free spectrometer enables fast start up, with full accuracy in less than 10 seconds<sup>1</sup>

- > Provides fast, accurate data in emergency settings, helping clinicians respond quickly



Available with different connector types

Small, compact, lightweight module can be used in a variety of clinical settings and applications

- > Compact size reduces clutter and dedicated device footprint

Light Emitting Gas Inlet (LEGI) indicator illuminates in different colors to provide visual indicators of ISA module status

- > Simple plug-in connector provides a leak-free connection to the ISA module
  - **Green:** Sampling line connected
  - **Blinking Red:** Replace sampling line
  - **Steady Red:** Analyzer error
  - **Blue:** Measuring anesthetic gas\*

<sup>1</sup> Operators Manual  
\*Applicable to NomoLine ISA AX+ and OR+

## NomoLine ISA AX+ and OR+

- > Able to measure inhaled and exhaled CO<sub>2</sub>, O<sub>2</sub>, N<sub>2</sub>O, and anesthetic agents (Halothane, Enflurane, Isoflurane, Sevoflurane and Desflurane) with automatic gas recognizing algorithm, **Agent-ID**
  - Simultaneously measure and display up to 2 agents
  - More detailed data may facilitate efficient titration of anesthetic gases



**NomoLine ISA OR+:**  
Provides O<sub>2</sub> and anesthetic gas measurements in addition to capnography

- > Spectrometer enables fast start up, with full accuracy in less than 20 seconds
- > Low power consumption and automatic temperature and pressure compensation make all NomoLine ISA gas analyzers easy to maintain



**NomoLine ISA AX+:**  
Provides anesthetic gas measurements in addition to capnography

## NomoLine ISA Accessories

**Mounting Solutions:** Brackets that allow mounting of the NomoLine ISA gas analyzers onto a monitor



For use with NomoLine ISA CO<sub>2</sub> and AX+



For use with NomoLine ISA OR+

**NomoLine ISA Exhaust Kit:** Connects the analyzer to a scavenging system in order to discard the exhaust gas



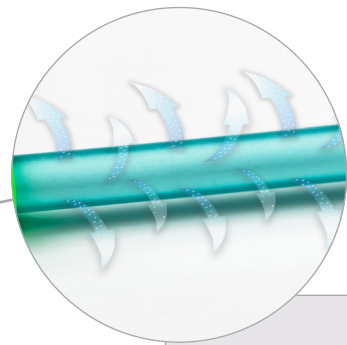
**NomoLine ISA Maintenance Kit:** Equipped with components that can be used for annual maintenance of NomoLine ISA gas analyzers



# NomoLine Sampling Lines

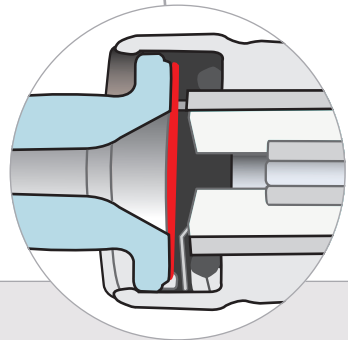
Airway Adapter Sets and Cannulas for all patients in both low and high humidity conditions

> Simple click-in connector allows for leak-free connection to the gas analyzer



### Moisture-wicking section eliminates the need for a water trap

- > Patented no-moisture polymer allows moisture to diffuse into the environment
- > Moisture-free sample provides accurate measurements to help clinicians make more informed decisions



### Hydrophobic bacterial filter reduces contamination of the ISA™ analyzer

- > Extends the life of the module by reducing water intrusion
- > Ensures safety by reducing the risk of bacterial contamination

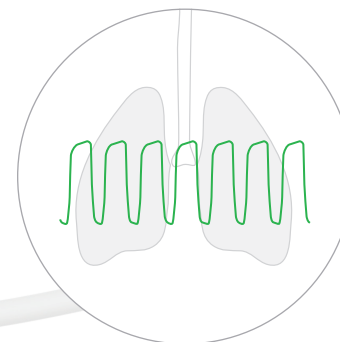


### Ergonomically designed cannulas improve patient comfort

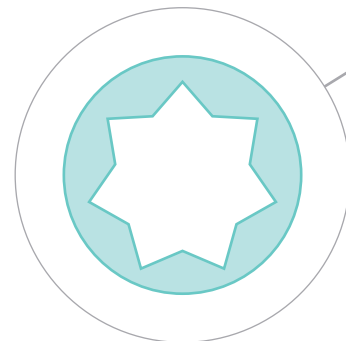
- > Lightweight, soft cannulas with a curved design fit the contours of the face to minimize pressure
- > Multiple options allow for use with all patient populations

### Uniquely designed sampling line allows for usage during low-flow and small sample-size applications

- > Requires only a small breath sample, 50 ml/min
- > Airway Adapter Sets with low dead space allow for faster rise time and an unaffected waveform



> Star-shaped Lumen oxygen delivery tubing ensures supply even if kinked



# IRMA™ Mainstream Gas Analyzers

Versatile capnography and multi-gas measurement solutions

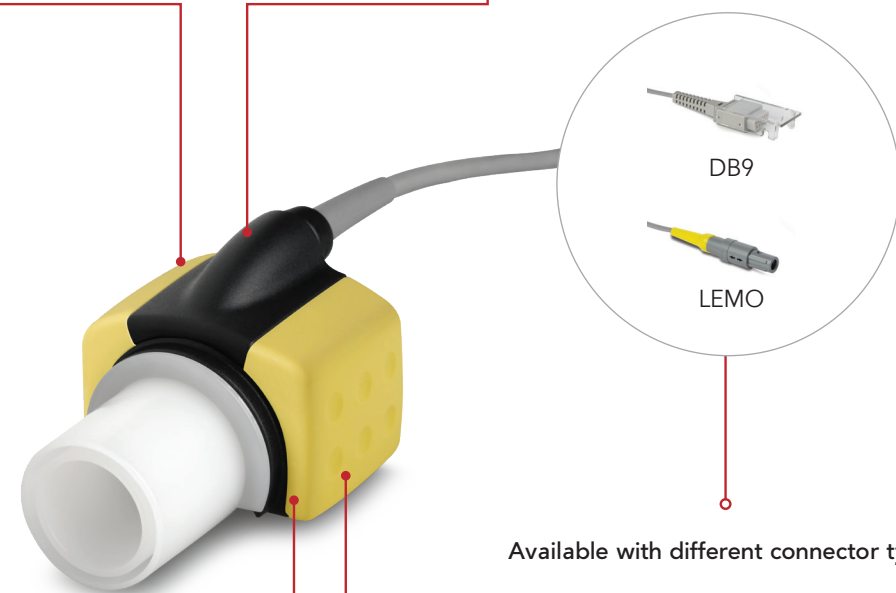
## IRMA CO2

Mainstream technology measures gas directly in-line and does not remove gas from the patient circuit, reducing delays in measurement

- > Ideal for gas monitoring on patients with low-flow or on a closed ventilator circuit

LED indicator illuminates in different colors to provide visual indicators of IRMA analyzer status

- > **Green:** Airway adapter connected
- > **Blinking Red:** Check airway adapter
- > **Red:** Sensor error
- > **Blue:** Measuring anesthetic gas\*



Available with different connector types

Small, compact and lightweight analyzer (<25g) can be used in a variety of clinical settings and applications

- > Compact size and lightweight design reduce weight on the respiratory circuit allowing for use on smaller patients

Quick start up time of less than 10 seconds provides crisp waveforms with fast rise time

- > Provides accurate data to clinicians in emergency settings allowing for quicker informed decision making

## IRMA AX+

- > Able to measure inhaled and exhaled CO<sub>2</sub>, N<sub>2</sub>O, and anesthetic agents (Halothane, Enflurane, Isoflurane, Sevoflurane and Desflurane) with automatic gas recognizing algorithm, **Agent-ID**
  - Simultaneously measure and display up to 2 agents
  - More detailed data may facilitate efficient titration of anesthetic gases
- > Spectrometer enables fast start up, with full accuracy is less than 20 seconds
- > Low power consumption and automatic temperature and pressure compensation make all IRMA gas analyzers easy to maintain



Provides anesthetic gas measurements in addition to capnography and respiratory rate

## IRMA Accessories

**IRMA Airway Adapters:** Airway adapters with hydrophilic coating that are insensitive to humidity and allow for connection to the respiratory circuit



Adult/Pediatric Airway Adapter



Infant Airway Adapter

**IRMA Velcro Holder:** Designed to secure the IRMA analyzer when not being used



IRMA Holder Velcro

\* Applicable to IRMA AX+

# Performance and Specifications

ORDERING INFORMATION	
IRMA CO2	REF 200101/200107
IRMA AX+ (CO2, N2O, 5 AA, AA ID)	REF 200601/200607
NomoLine ISA Capno Module (CO2)	REF 4354
NomoLine ISA CO2	REF 4410/4412
NomoLine ISA AX+ Module (CO2, N2O, 5 AA, AA ID)	REF 700601
NomoLine ISA AX+ (CO2, N2O, 5 AA, AA ID)	REF 800601/800607
NomoLine ISA OR+ (CO2, O2, N2O, 5 AA, AA ID)	REF 800401/800407

GENERAL	
Weight	IRMA CO2/AX+: < 25 g (cable excluded) NomoLine ISA CO2: < 98 g (cable excluded) NomoLine ISA Capno Module: ≤ 55g NomoLine ISA AX+ Module: < 75 g NomoLine ISA AX+: Max. 140 g Including cable, Excluding tubing and NomoLine sampling line. NomoLine ISA OR+: Max. 270 g Including cable, Excluding tubing and NomoLine sampling line.
Size	IRMA CO2/AX+: 38 x 37 x 34 mm (1.49 x 1.45 x 1.34 inches) NomoLine ISA CO2: 37 x 91 x 60 mm (1.4 x 3.6 x 2.4 inches) NomoLine ISA Capno Module: 64 x 38 x 23 mm (2.5 x 1.5 x 0.9 inches) NomoLine ISA AX+ Module: 23 x 62 x 38 mm (0.9 x 2.4 x 1.5 inches) NomoLine ISA AX+: 37 x 91 x 60 mm (1.4 x 3.6 x 2.4 inches) NomoLine ISA OR+: 88 x 91 x 52 mm (3.5" x 3.6" x 2.0")
Power supply	4.5 to 5.5 VDC IRMA CO2: < 1.0 W (normal op.) IRMA AX+: < 1.4 W (normal op.) NomoLine ISA CO2: ≤ 0.9 W (normal operation @ 5V) NomoLine ISA AX+: ≤ 1.6 W (normal operation @ 5V) NomoLine ISA OR+: ≤ 2.5 W (normal operation @ 5V)

ENVIRONMENTAL	
Operating temperature	IRMA CO2: 0 to 40 °C (32 to 104 °F) IRMA AX+: 10 to 40 °C (50 to 104 °F) NomoLine ISA CO2: 0 to 50 °C (32 to 122 °F) NomoLine ISA Capno Module: 0 to 65 °C (32 to 149 °F) NomoLine ISA AX+: 5 to 50 °C (41 to 122 °F) NomoLine ISA OR+: 5 to 40 °C (41 to 104 °F)
Storage temperature	IRMA CO2/IRMA AX+: -40 to 70 °C (-40 to 158 °F) NomoLine ISA CO2: -40 to 70 °C (-40 to 158 °F) NomoLine ISA AX+: -40 to 70 °C (-40 to 158 °F) NomoLine ISA OR+: -30 to 70 °C (-22 to 158 °F)
Operating humidity	10–95% RH (non-condensing)
Operating atmospheric pressure	525–1200 hPa (< 5211 m)

PATIENT CONNECTIONS	
IRMA Airway Adapter Adult/Pediatric	< 6 ml dead space REF 106220
IRMA Airway Adapter Infant	< 1 ml dead space REF 106260
NomoLine sampling lines	See separate NomoLine information for full details of available options

GAS ANALYSER	
Automatic compensation	Pressure and temperature
Warm-up time	IRMA CO2/NomoLine ISA CO2: < 10 sec IRMA AX+/NomoLine ISA AX+/NomoLine ISA OR+: < 20 sec
ISA sampling flow rate	50 ± 10 ml/min
Fulfills the requirements of EN ISO 80601-2-55	
Accuracy during standard conditions:	

	RANGE	ACCURACY
CO2	0–15 vol%	± (0.2 vol% + 2% of reading)
N2O	0–100 vol%	± (2 vol% + 2% of reading)
HAL, ISO, ENF	0–8 vol%	± (0.15 vol% + 5% of reading)
SEV	0–10 vol%	± (0.15 vol% + 5% of reading)
DES	0–22 vol%	± (0.15 vol% + 5% of reading)
O2 (NomoLine ISA OR+)	0–100 vol%	± (1 vol% + 2% of reading)
Rise time	IRMA CO2: ≤ 90 ms IRMA AX+: CO2 ≤ 90 ms, N2O, Agents ≤ 300 ms NomoLine ISA CO2: ≤ 200 ms NomoLine ISA AX+/OR+: CO2 ≤ 300 ms, N2O, Agents, O2 ≤ 400 ms, HAL ≤ 500 ms	
Analyzer system response time	IRMA CO2/AX+: < 1 sec, NomoLine ISA CO2: ≤ 3 sec, NomoLine ISA AX+/OR+: ≤ 4 sec	
Breath detection	Adaptive threshold, minimum 1 vol% change in CO2 concentration	
Respiratory rate	0–150 bpm ± 1 bpm	

CERTIFICATIONS	
IRMA and ISA external analyzers are CE Marked according to the 93/42/EEC Medical Device Directive	
Data subject to change without notice	

**CONNECTOR SOLUTIONS**

IRMA and ISA external analyzers are available with either a female DB-9 connector or a male 8-pin LEMO Push n' Pull connector for power supply and RS-232 communication. An open-end cable (REF 100270) that matches the DB-9 connector can also be supplied for customer specific connector solutions.

## Variety of Options to Meet All of Your Needs

Analyzer Options					
	NomoLine ISA CO2	NomoLine ISA AX+	NomoLine ISA OR+	IRMA CO2	IRMA AX+
Gases	CO2	•	•	•	•
	O2			•	
	N2O		•	•	
	Agents		•	•	
	Auto ID/mixed agents		•	•	
	Optional built-in Module	•	•	•	

Caution: Federal (USA) law restricts this device to sale by or on the order of a physician. See instructions for use for full prescribing information, including indications, contraindications, warnings, and precautions.

**Masimo Sweden AB**  
Tel: +46 8 544 98 150  
info-sweden@masimo.com

**Masimo U.S.**  
Tel: 1 877 4 Masimo  
info-america@masimo.com

**Masimo International**  
Tel: +41 32 720 1111  
info-international@masimo.com

